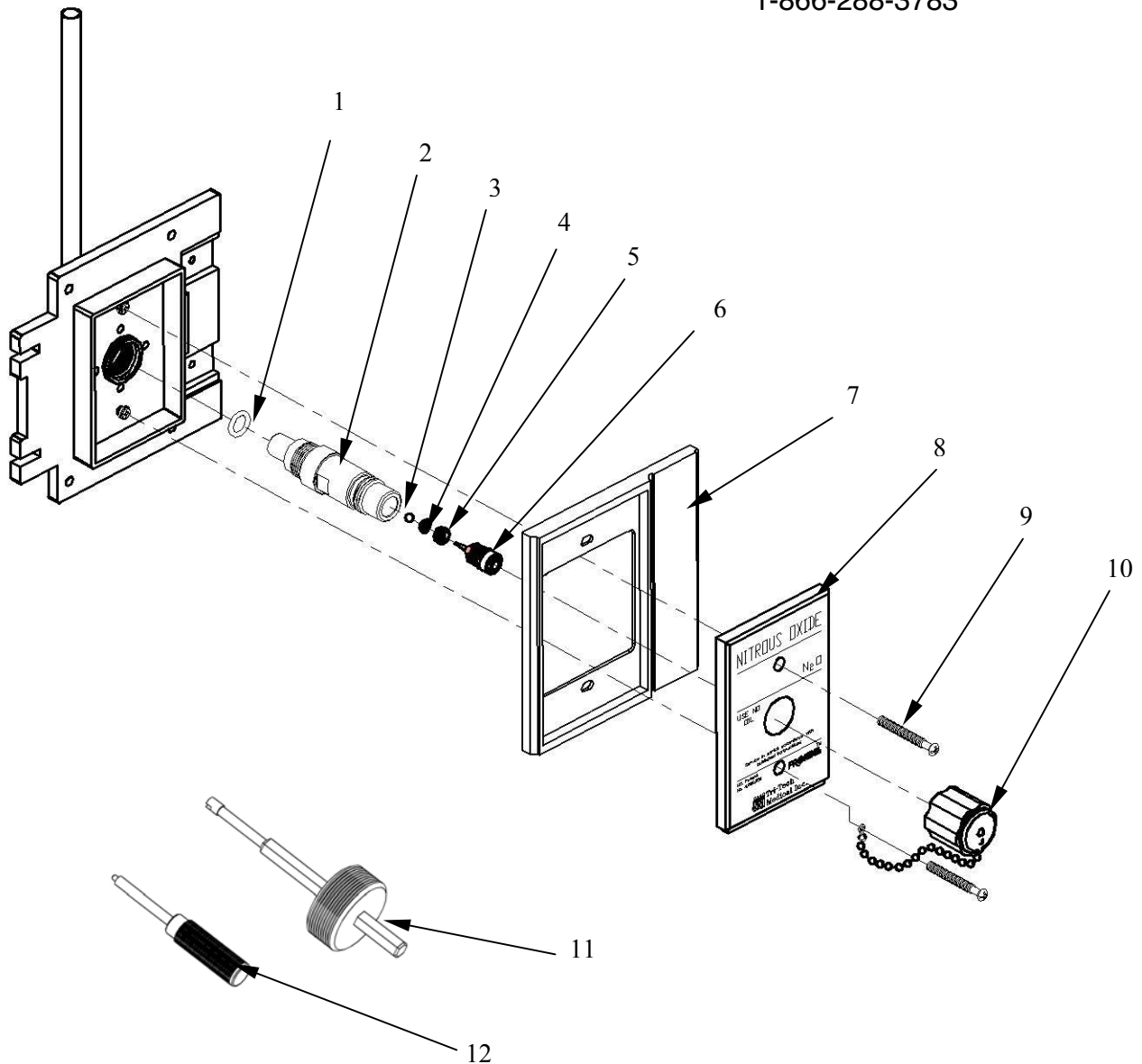


DISS RECESSED OUTLET NITROUS OXIDE – F1104

Andersen Medical Gas
12 Place Lafitte
Madisonville, LA 70447
<https://www.TheMedicalGas.com>
1-866-288-3783



Refer to reverse side for Bill of Material

Diss Recessed Outlet Nitrous Oxide Bill of Material

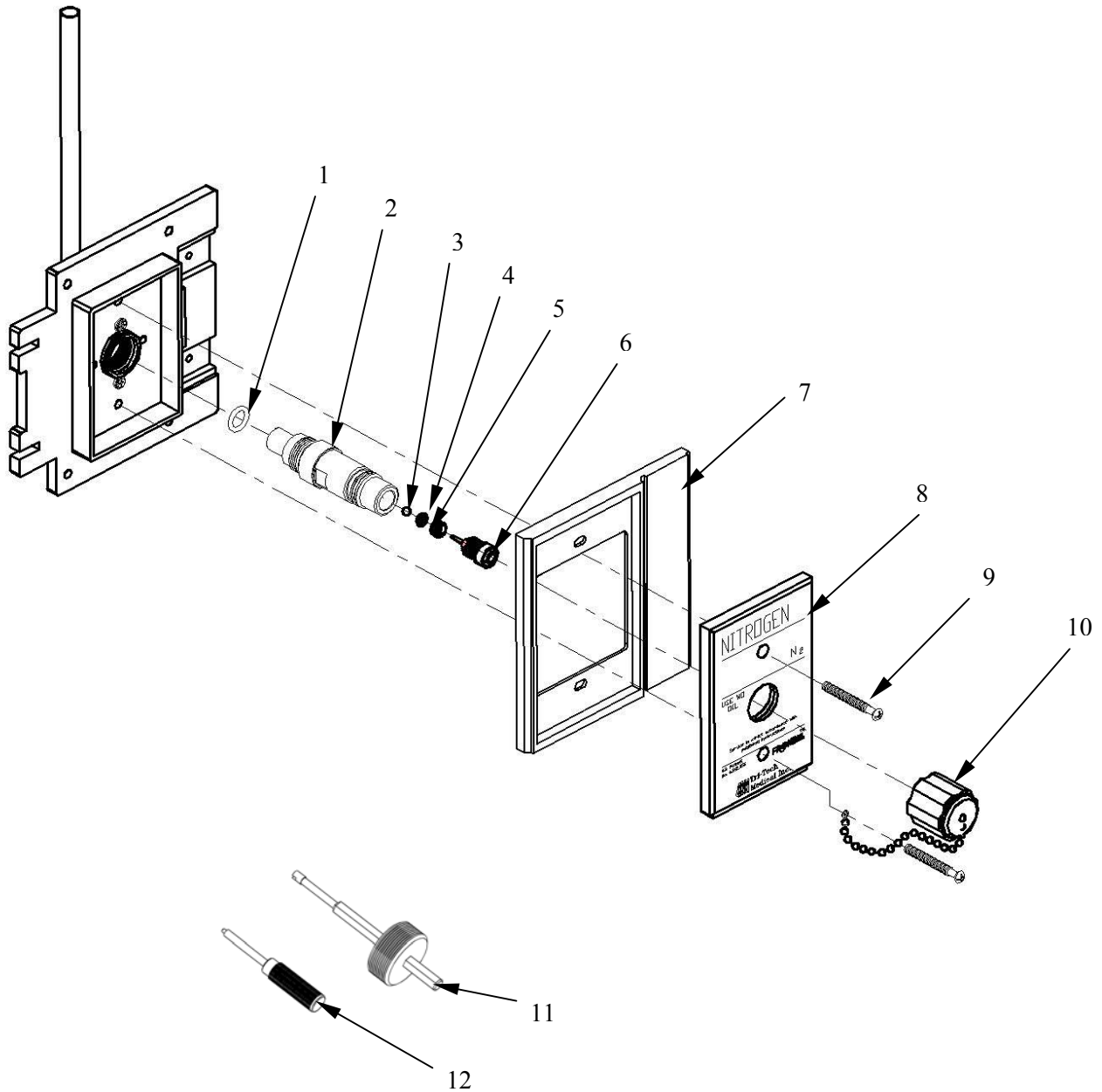
| Item | Part Number | Description | Quantity | Note |
|-------------|--------------------|---|-----------------|-------------|
| | F1104 | Recessed Outlet Assembly N ₂ O | - | |
| 1 | F1100-5R | Outlet Sealing Washer | 1 | |
| 2 | F1104-2R | Outlet Body | 1 | B |
| 3 | F1000-13R | Secondary Ball Check | 1 | D |
| 4 | F1000-14R | Secondary Ball Check Seat | 1 | D |
| 5 | F1000-15R | Secondary Ball Check Retainer | 1 | D |
| 6 | F1004RC | Primary Check Cartridge Assembly N ₂ O | 1 | C |
| 7 | F1000-9R | Nameplate Housing | 1 | |
| 8 | F1004AR | Nameplate Assembly | 1 | |
| 9 | F1000-11R | Screws 6-32 Oval Head | 2 | |
| 10 | F1004DR | Dust Cap Assembly Blue | 1 | A |

Repair Tools

| | | |
|----|---------|---|
| 11 | F9900CT | Primary Check Removal / Installation Tool |
| 12 | F9900SD | Secondary Check Removal / Installation Tool |

Note: **A:** Dust Cap Assembly optional, is available. Outlet is ship with a protective plastic cap.
B: These Items are assembled in the Outlet Body; Ball Check, Ball Check Seat, Ball Check Retainer and Cartridge Assembly.
C: Use Item 11 Primary tool to remove and install the Cartridge Assembly.
D: Use Item 12 Secondary tool to remove and install the Ball Check, Ball Check Seat and Retainer

DISS RECESSED OUTLET NITROGEN – F1112



Refer to reverse side for Bill of Material



Diss Recessed Outlet Nitrogen Bill of Material

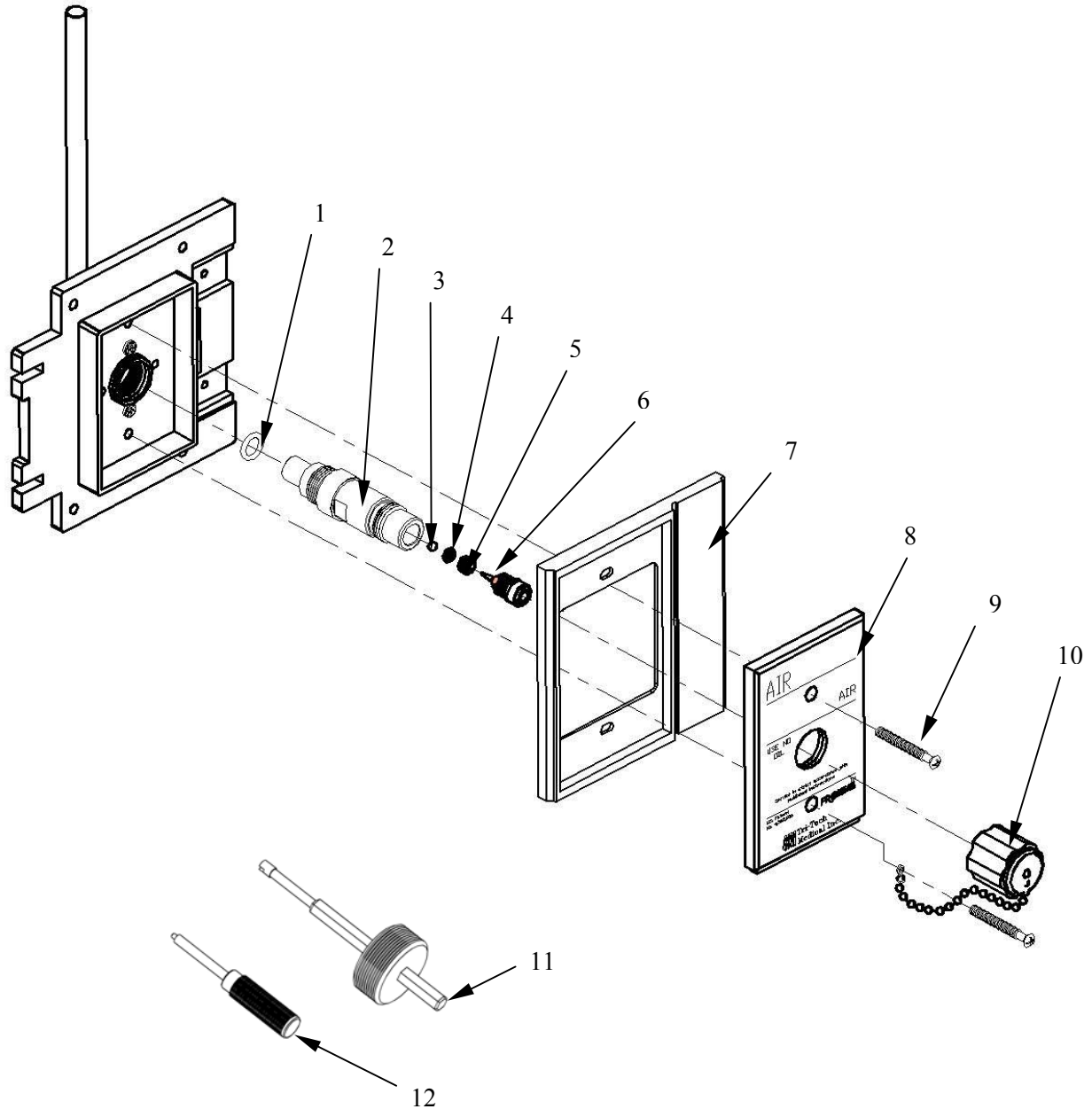
| Item | Part Number | Description | Quantity | Note |
|------|-------------|---|----------|----------|
| | F1112 | Recessed Outlet Assembly N ₂ | - | |
| 1 | F1100-5R | Outlet Sealing Washer | 1 | |
| 2 | F1112-2R | Outlet Body | 1 | B |
| 3 | F1000-13R | Secondary Ball Check | 1 | D |
| 4 | F1000-14R | Secondary Ball Check Seat | 1 | D |
| 5 | F1000-15R | Secondary Ball Check Retainer | 1 | D |
| 6 | F1012RC | Primary Check Cartridge Assembly N ₂ | 1 | C |
| 7 | F1000-9R | Nameplate Housing | 1 | |
| 8 | F1012AR | Nameplate Assembly | 1 | |
| 9 | F1000-11R | Screws 6-32 Oval Head | | |
| 10 | F1012DR | Dust Cap Assembly Black | 1 | A |

Repair Tools

| | | |
|----|---------|---|
| 11 | F9900CT | Primary Check Removal / Installation Tool |
| 12 | F9900SD | Secondary Check Removal / Installation Tool |

Note: **A:** Dust Cap Assembly optional, is available. Outlet is ship with a protective plastic cap.
B: These Items are assembled in the Outlet Body; Ball Check, Ball Check Seat, Ball Check Retainer and Cartridge Assembly.
C: Use Item 11 Primary tool to remove and install the Cartridge Assembly.
D: Use Item 12 Secondary tool to remove and install the Ball Check, Ball Check Seat and Retainer

DISS RECESSED OUTLET MEDICAL AIR – F1116



Refer to reverse side for Bill of Material

Diss Recessed Outlet Medical Air Bill of Material

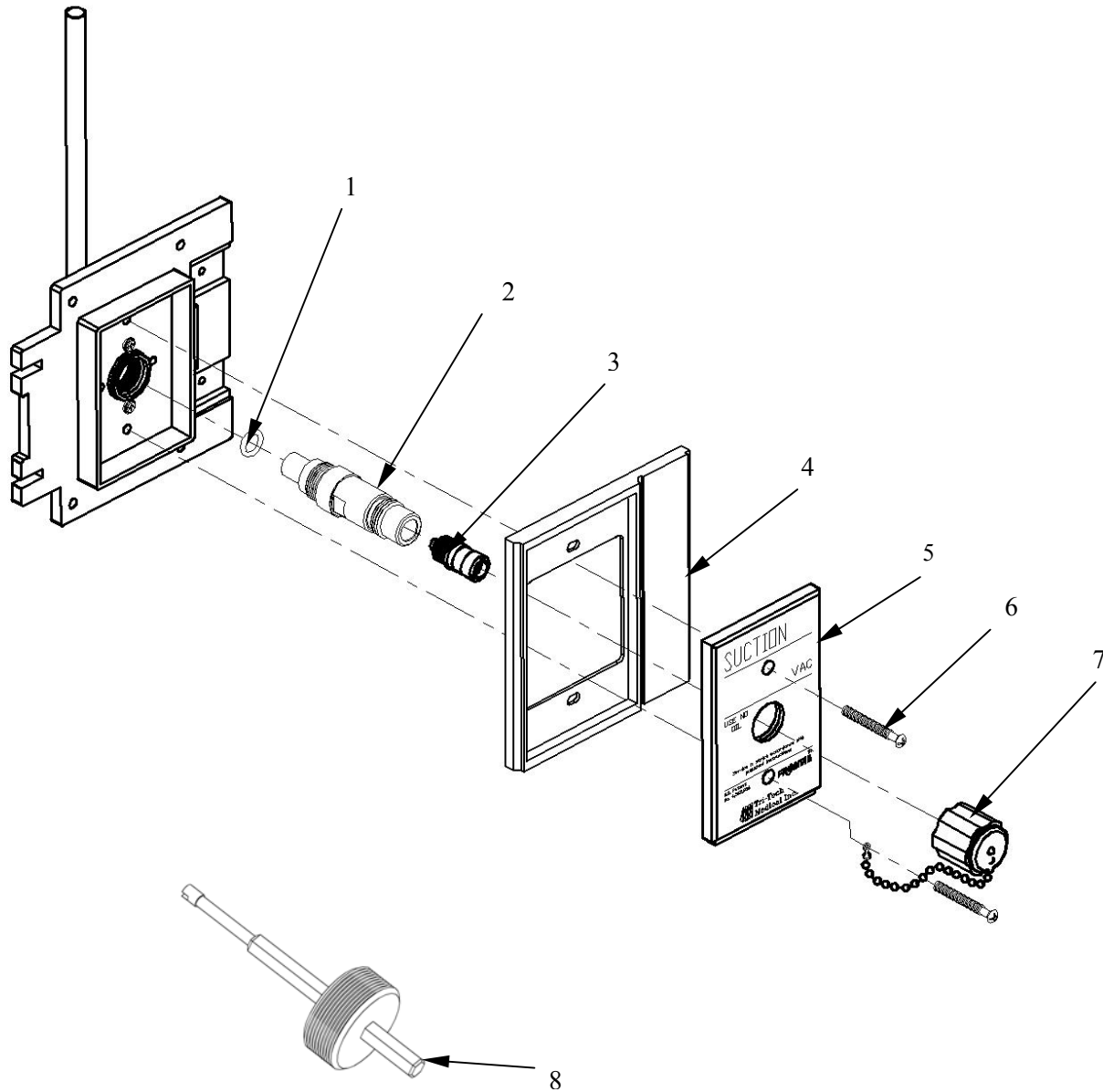
| Item | Part Number | Description | Quantity | Note |
|-------------|--------------------|--------------------------------------|-----------------|-------------|
| | F1116 | Recessed Outlet Assembly Air | - | |
| 1 | F1100-5R | Outlet Sealing Washer | 1 | |
| 2 | F1116-2R | Outlet Body | 1 | B |
| 3 | F1000-13R | Secondary Ball Check | 1 | D |
| 4 | F1000-14R | Secondary Ball Check Seat | 1 | D |
| 5 | F1000-15R | Secondary Ball Check Retainer | 1 | D |
| 6 | F1000RC | Primary Check Cartridge Assembly Air | 1 | C |
| 7 | F1000-9R | Nameplate Housing | 1 | |
| 8 | F1016AR | Nameplate Assembly | 1 | |
| 9 | F1000-11R | Screws 6-32 Oval Head | 2 | |
| 10 | F1016DR | Dust Cap Assembly Yellow | 1 | A |

Repair Tools

| | | |
|----|---------|---|
| 11 | F9900CT | Primary Check Removal / Installation Tool |
| 12 | F9900SD | Secondary Check Removal / Installation Tool |

Note: **A:** Dust Cap Assembly optional, is available. Outlet is ship with a protective plastic cap.
B: These Items are assembled in the Outlet Body; Ball Check, Ball Check Seat, Ball Check Retainer and Cartridge Assembly.
C: Use Item 11 Primary tool to remove and install the Cartridge Assembly.
D: Use Item 12 Secondary tool to remove and install the Ball Check, Ball Check Seat and Retainer

DISS RECESSED OUTLET MEDICAL VACUUM – F1122



Refer to reverse side for Bill of Material



Diss Recessed Outlet Medical Vacuum Bill of Material

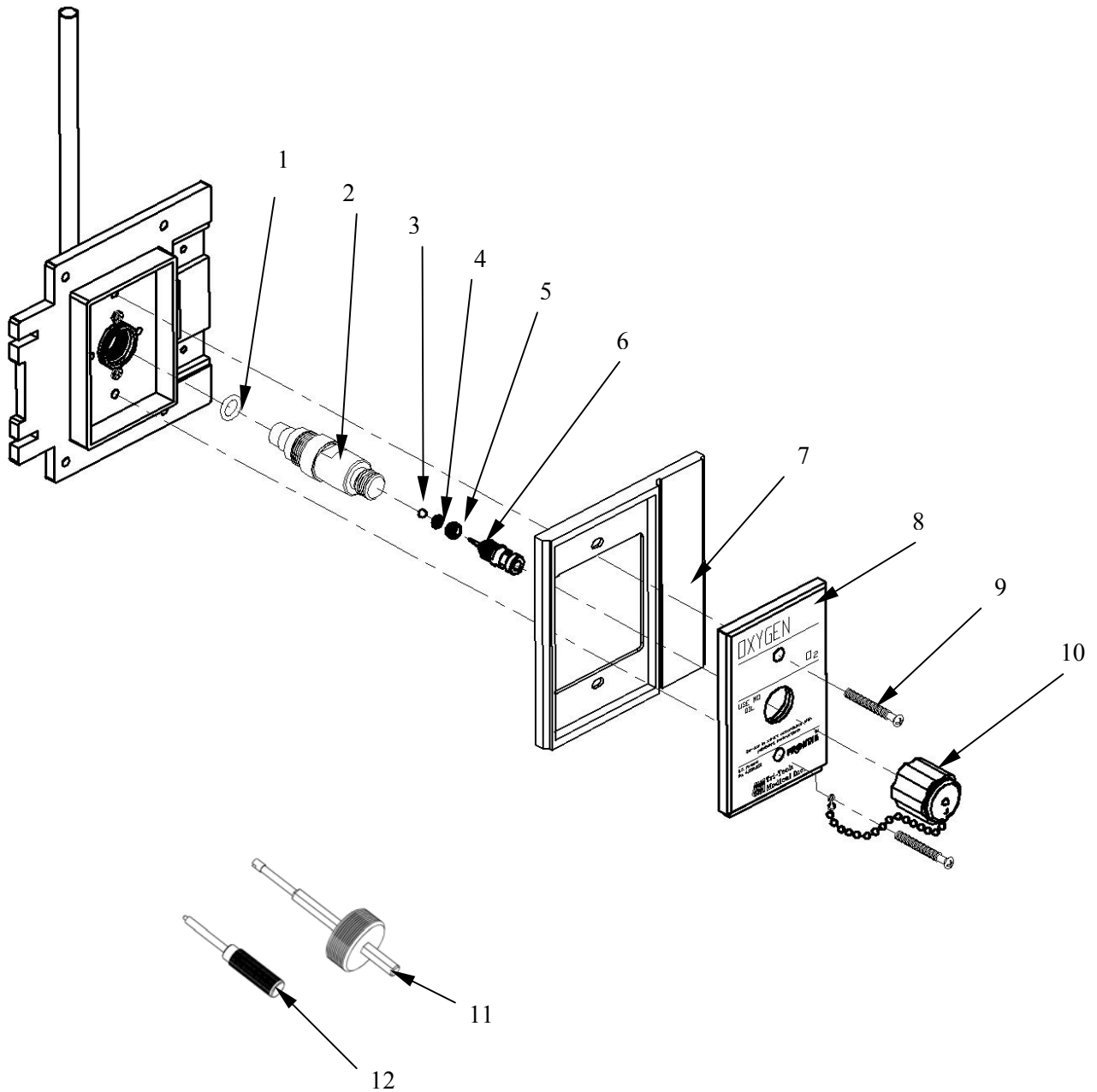
| Item | Part Number | Description | Quantity | Note |
|-------------|--------------------|--------------------------------------|-----------------|-------------|
| | F1122 | Recessed Outlet Assembly Med Vac | - | |
| 1 | F1100-5R | Outlet Sealing Washer | 1 | |
| 2 | F1122-2R | Outlet Body | 1 | B |
| 3 | F1022RC | Primary Check Cartridge Assy Med Vac | 1 | C |
| 4 | F1000-9R | Nameplate Housing | 1 | |
| 5 | F1022AR | Nameplate Assembly | 1 | |
| 6 | F1000-11R | Screws 6-32 Oval Head | 2 | |
| 7 | F1022DR | Dust Cap Assembly White | 1 | A |

Repair Tools

| | | |
|---|---------|---|
| 8 | F9900CT | Primary Check Removal / Installation Tool |
|---|---------|---|

Note: A: Dust Cap Assembly optional, is available. Outlet is ship with a protective plastic cap.
B: These Items are assembled in the Outlet Body; Cartridge Assembly.
C: Use Item 8 Primary tool to remove and install the Cartridge Assembly.

DISS RECESSED OUTLET OXYGEN – F1124A



Refer to reverse side for Bill of Material

Diss Recessed Outlet Oxygen Bill of Material

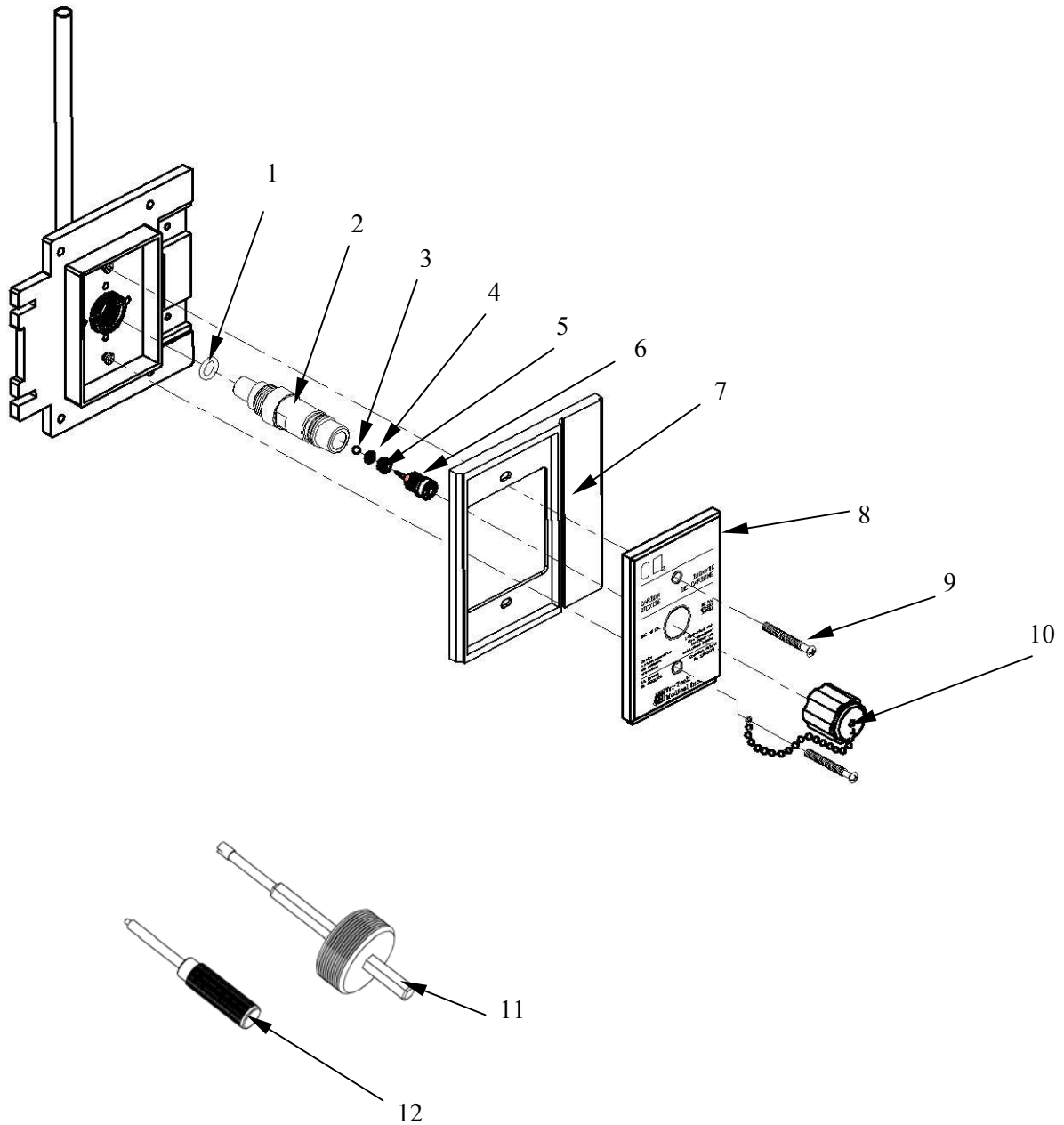
| Item | Part Number | Description | Quantity | Note |
|-------------|--------------------|--------------------------------------|-----------------|-------------|
| | F1124A | Recessed Outlet Assembly Oxygen | - | |
| 1 | F1100-5R | Outlet Sealing Washer | 1 | |
| 2 | F1124-2R | Outlet Body | 1 | B |
| 3 | F1000-13R | Secondary Ball Check | 1 | D |
| 4 | F1000-14R | Secondary Ball Check Seat | 1 | D |
| 5 | F1000-15R | Secondary Ball Check Retainer | 1 | D |
| 6 | F1024ARC | Primary Check Cartridge Assembly Oxy | 1 | C |
| 7 | F1000-9R | Nameplate Housing | 1 | |
| 8 | F1024AR | Nameplate Assembly | 1 | |
| 9 | F1000-11R | Screws 6-32 Oval Head | 2 | |
| 10 | F1024DR | Dust Cap Assembly Green | 1 | A |

Repair Tools

| | | |
|----|---------|---|
| 11 | F9900CT | Primary Check Removal / Installation Tool |
| 12 | F9900SD | Secondary Check Removal / Installation Tool |

Note: **A:** Dust Cap Assembly optional, is available. Outlet is ship with a protective plastic cap.
B: These Items are assembled in the Outlet Body; Ball Check, Ball Check Seat, Ball Check Retainer and Cartridge Assembly.
C: Use Item 11 Primary tool to remove and install the Cartridge Assembly.
D: Use Item 12 Secondary tool to remove and install the Ball Check, Ball Check Seat and Retainer

DISS RECESSED OUTLET CARBON DIOXIDE – F1108



Refer to reverse side for Bill of Material

Diss Recessed Outlet Carbon Dioxide Bill of Material

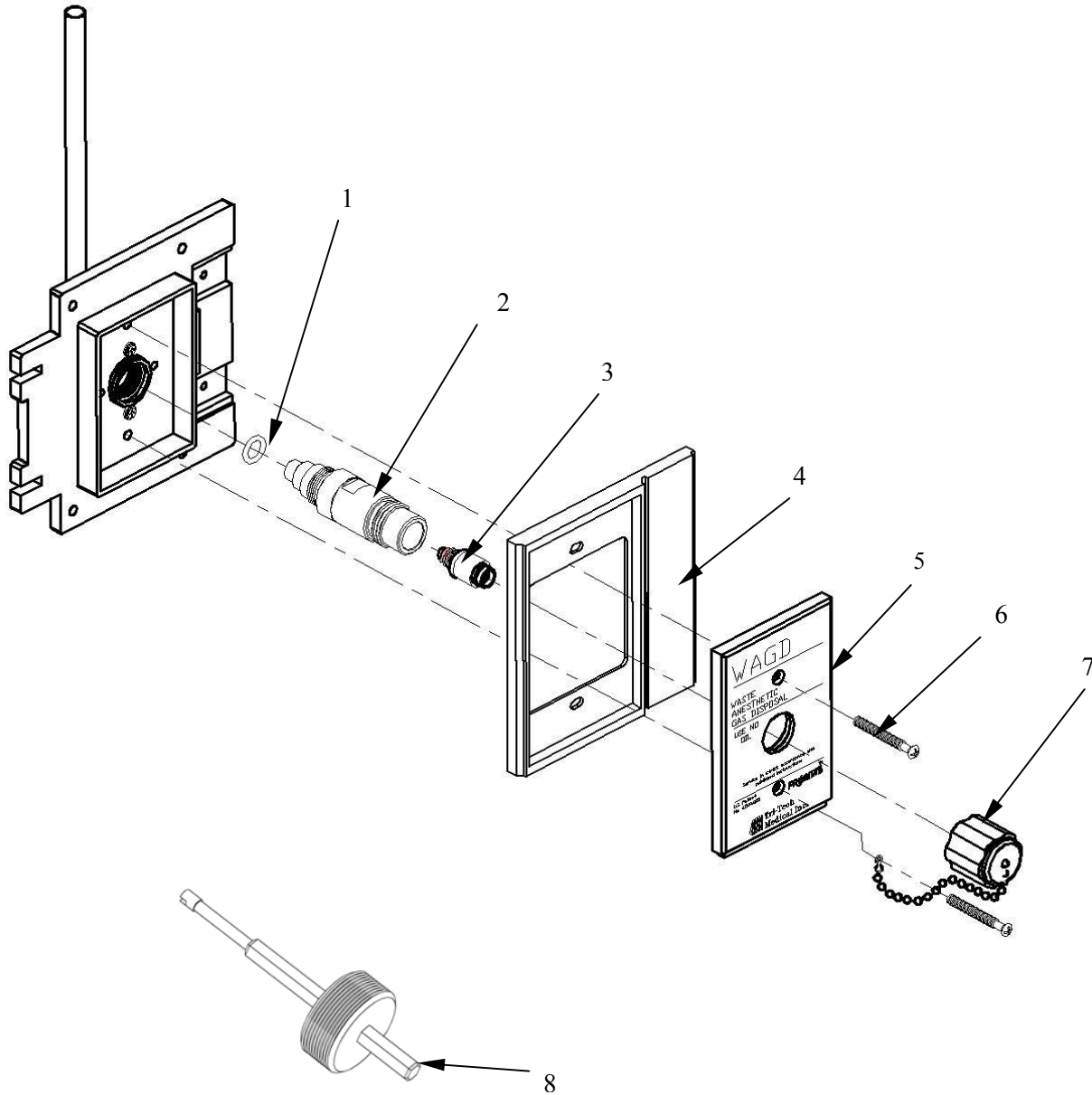
| Item | Part Number | Description | Quantity | Note |
|-------------|--------------------|---|-----------------|-------------|
| | F1108 | Recessed Outlet Assembly CO2 | - | |
| 1 | F1100-5R | Outlet Sealing Washer | 1 | |
| 2 | F1108-2R | Outlet Body | 1 | B |
| 3 | F1000-13R | Secondary Ball Check | 1 | D |
| 4 | F1000-14R | Secondary Ball Check Seat | 1 | D |
| 5 | F1000-15R | Secondary Ball Check Retainer | 1 | D |
| 6 | F1004RC | Primary Check Cartridge Assembly N ₂ O | 1 | C |
| 7 | F1000-9R | Nameplate Housing | 1 | |
| 8 | F1008AR | Nameplate Assembly | 1 | |
| 9 | F1000-11R | Screws 6-32 Oval Head | 2 | |
| 10 | F1008DR | Dust Cap Assembly Gray | 1 | A |

Repair Tools

| | | |
|----|---------|---|
| 11 | F9900CT | Primary Check Removal / Installation Tool |
| 12 | F9900SD | Secondary Check Removal / Installation Tool |

Note: **A:** Dust Cap Assembly optional, is available. Outlet is ship with a protective plastic cap.
B: These Items are assembled in the Outlet Body; Ball Check, Ball Check Seat, Ball Check Retainer and Cartridge Assembly.
C: Use Item 11 Primary tool to remove and install the Cartridge Assembly.
D: Use Item 12 Secondary tool to remove and install the Ball Check, Ball Check Seat and Retainer

DISS RECESSED OUTLET WAGD (Waste Anesthetic Gas Disposal) – F1132



Refer to reverse side for Bill of Material



Diss Recessed Outlet Medical WAGD (Waste Anesthetic Gas Disposal) Bill of Material

| Item | Part Number | Description | Quantity | Note |
|------|-------------|-----------------------------------|----------|----------|
| | F1132 | Recessed Outlet Assembly WAGD | - | |
| 1 | F1100-5R | Outlet Sealing Washer | 1 | |
| 2 | F1132-2R | Outlet Body | 1 | B |
| 3 | F1032RC | Primary Check Cartridge Assy WAGD | 1 | C |
| 4 | F1000-9R | Nameplate Housing | 1 | |
| 5 | F1032AR | Nameplate Assembly | 1 | |
| 6 | F1000-11R | Screws 6-32 Oval Head | 2 | |
| 7 | F1032DR | Dust Cap Assembly Black | 1 | A |

Repair Tools

| | | |
|---|---------|---|
| 8 | F9900CT | Primary Check Removal / Installation Tool |
|---|---------|---|

Note: A: Dust Cap Assembly optional, is available. Outlet is ship with a protective plastic cap.
B: These Items are assembled in the Outlet Body; Cartridge Assembly.
C: Use Item 8 Primary tool to remove and install the Cartridge Assembly.