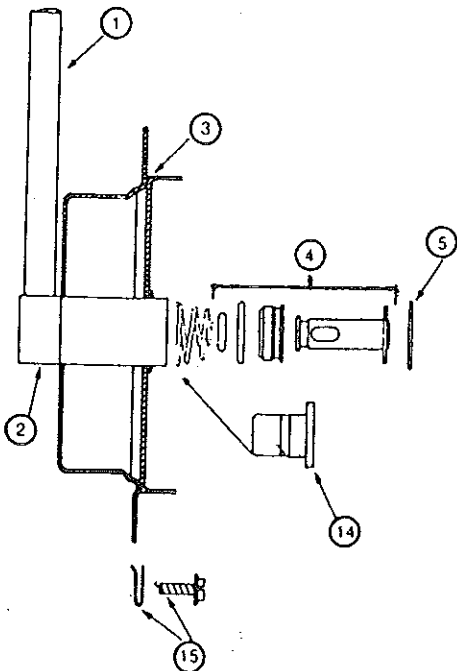


Materials of Construction – Quick Connect Model

DESCRIPTION	CATALOG NO.	DESCRIPTION	CATALOG NO.
1. 6" copper tube for connection to medical gas or vacuum supply line.		9. Valve body O-ring kit (12 each).	64-90-1886
2. Swivel base housing.		10. Face plate assemblies:	
3. Back box.		Oxygen	64-91-1801
(Field replacement of items 1, 2 and 3 are not feasible).		Nitrous Oxide	64-91-1804
4. Secondary check kit (6 each):	64-90-0650	Vacuum	64-91-1802
A. Secondary check assy.		Air	64-91-1803
Spring (for vac.)		Evacuation Vacuum	64-91-1806
5. Housing base O-ring (12 each).	64-90-0185	CO ₂	64-91-1807
6. Poppet.	98-90-0002	O ₂ /CO ₂ <7%	64-91-1808
7. Poppet O-ring kit (12 each).	64-90-0097	11. Latch spring kit (12 each).	64-90-0096
8. Valve body assemblies (poppet and O-rings):		12. Faceplate mounting screw kit (48 each).	64-90-0031
Valve Assy, Pressure, Std. length	64-90-1820	13. Vacuum spring kit (6 each).	64-90-0034
Valve Assy, Pressure, Std. + 3/8"	64-90-1821	14. Test plug kit (12 each).	64-90-0001
Valve Assy, Vacuum, Std. length	64-90-1860	15. Back box mounting screw/ fastener kit (24 each).	64-90-0652
Valve Assy, Vacuum, Std. + 3/8"	64-90-1861		

Back Box Assembly



Faceplate Assembly

