

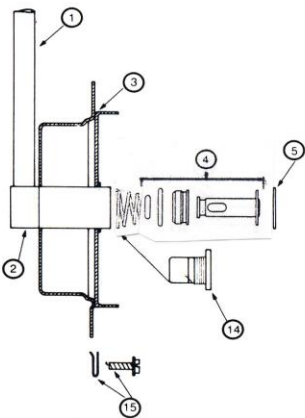
Materials of Construction- Quick Connect Model

DESCRIPTION	CATALOG NO.
1. 6" copper tube for connection to medical gas or vacuum supply line.	
2. Swivel base housing.	
3. Back box. (Field replacement of items 1,2 and 3 are not feasible).	
4. Secondary check kit (6 each): A. Secondary check assy. Spring (for vac.)	64-90-0650
5. Housing base O-Ring (12 each).	64-90-0185
6. Poppet.	98-90-0002
7. Poppet O-Ring kit (12 each).	64-90-0097
8. Valve body assemblies (poppet and O-rings):	
Valve body with poppet pressure.	64-90-0620
Valve body with poppet-vacuum.	64-90-0621
Valve body kit with poppet-Pressure 4 each.	64-90-0653
9. Valve body O-ring kit (12 each).	64-90-0186
10. Face plate assemblies:	
Oxygen	64-91-1501 ISO64-91-1551
Nitrous Oxide	64-91-1504
Vacuum	64-91-1502 ISO64-91-1552
Air	64-91-1503 ISO64-91-1553
Evacuation Vacuum	64-91-1506
CO2	64-91-1507
O2/CO2	64-91-1508 ISO64-91-1558
11. Latch spring kit (12 each).	64-90-0096
12. Face plate mounting screw kit (48 each).	64-90-0031
13. Vacuum spring kit (6 each).	64-90-0034
14. Test plug kit (12 each)	64-90-0652
15. Back box mounting screw (24 each)	64-90-0652

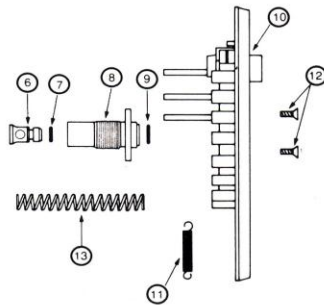
Materials of Construction- DISS Model

DESCRIPTION	CATALOG NO.
16. DISS poppet all service except Oxygen, vacuum and evac.	64-90-0029
17. DISS poppet oxygen, vacuum And evac.	64-00-0028
18. DISS valve body, key ring and poppet assembly:	
Oxygen	64-90-0631
Nitrous Oxide	64-90-0633
Vacuum	64-90-0632
Air	64-90-0634
Evacuation Vacuum	64-90-0638
N2	64-90-3636
CO2	64-90-0635
O2/CO2	64-90-0637
19. DISS Face Plate Assemblies:	
Oxygen	64-90-1561 ISO64-91-1571
Nitrous Oxide	64-91-1564
Vacuum	64-91-1562 ISO64-91-1572
Air	64-91-1563 ISO64-91-1573
Evacuation Vacuum	64-91-1566
N2	64-91-1565
CO2	64-91-1567
O2/CO2	64-91-1568 ISO64-91-1578
20. DISS face plate screw kit (24 each).	64-90-0030
21. DISS dust cap and chain assembly:	
Oxygen	64-90-0098
Nitrous Oxide	64-90-0100
Vacuum	64-90-0099
Air	64-90-0101
22. DISS poppet O-ring only.	34-90-0026

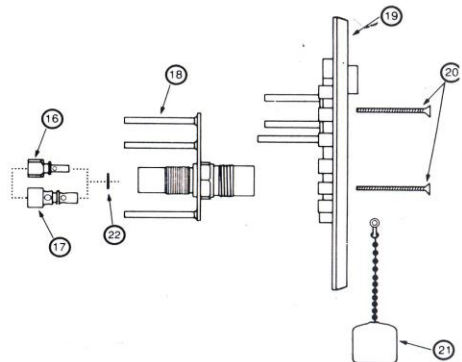
Back Box Assembly (Quick-Connect & D.I.S.S)



Quick-Connect



D.I.S.S.



Andersen Medical Gas
12 Place Lafitte
Madisonville, LA 70447

<http://www.TheMedicalGas.com>
1-866-288-3783